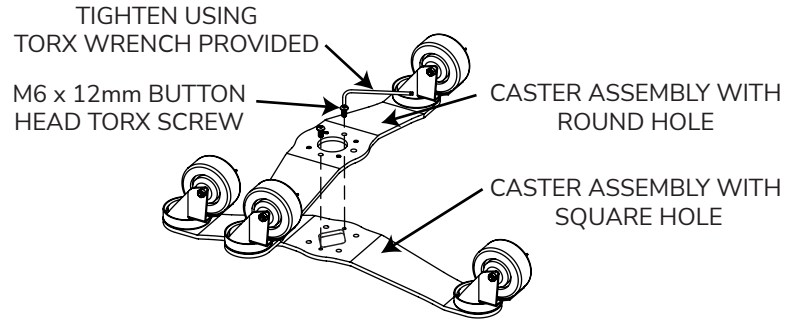
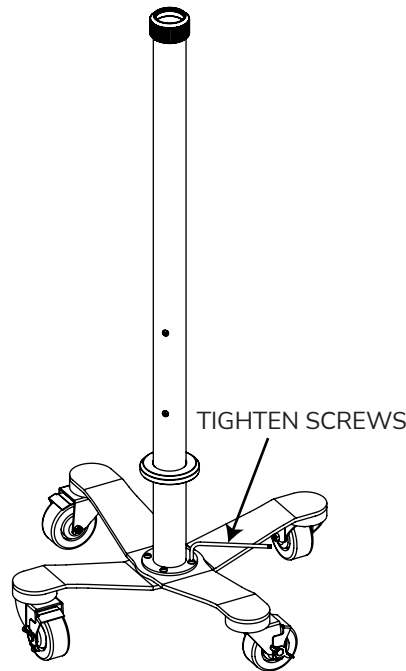
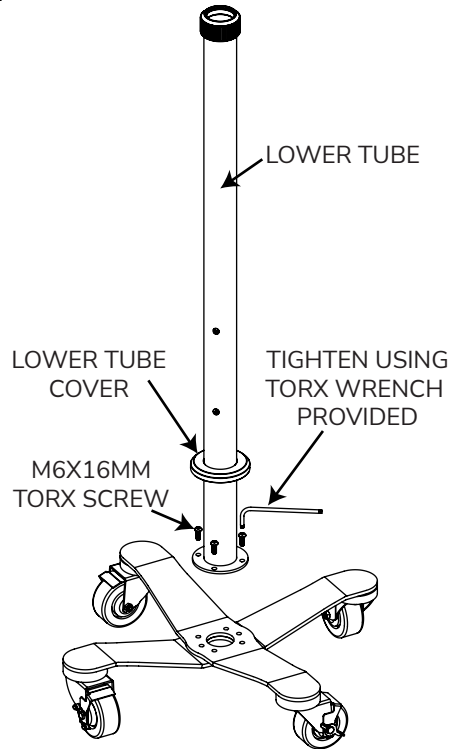


## Assembly Instructions

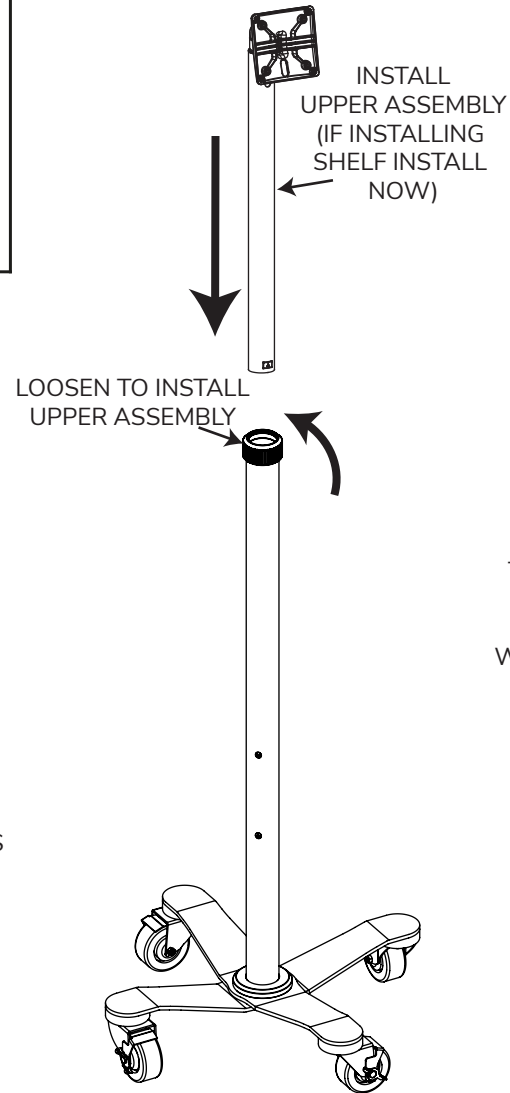
**1** PLACE CASTER ASSEMBLY ON FLOOR WITH CASTERS FACING UPWARDS



**2** **3**



**4** **5**

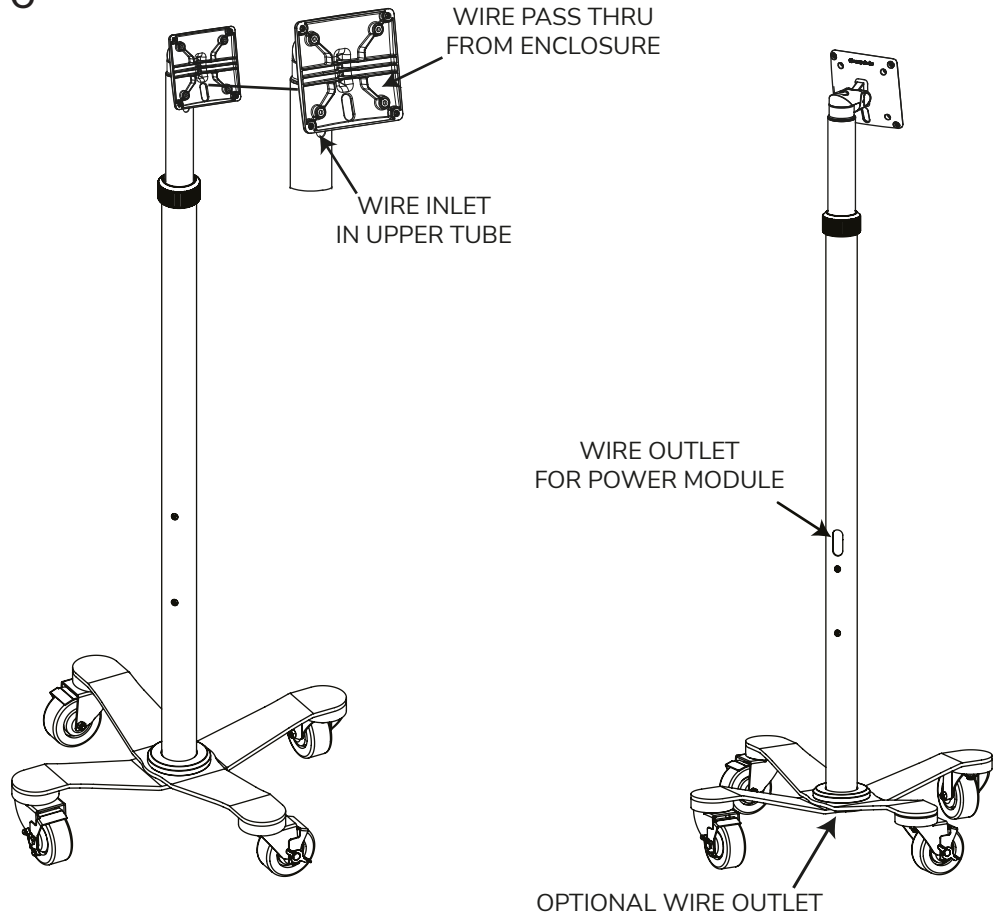


58.9"  
149.6cm

42.3"  
107.5cm

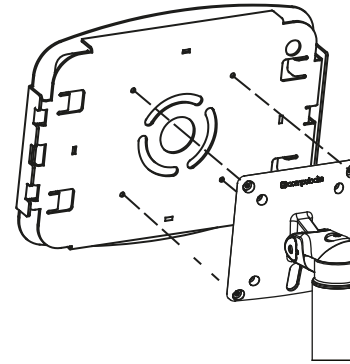
## Assembly Instructions

6

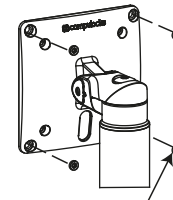


7

INSTALL YOUR TABLET ENCLOSURE AS SHOWN USING M4 SCREWS PROVIDED WITH RISE FREEDOM



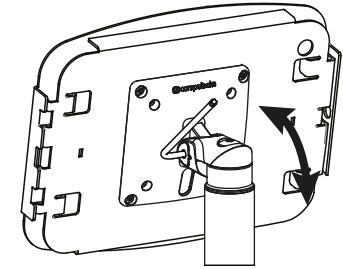
IF MOUNTING TO A MONITOR



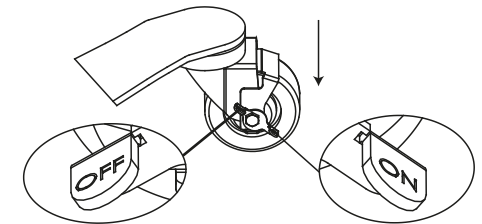
REMOVE M4 PRESS IN NUTS

8

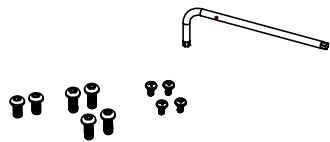
ADJUST TILT / TENSION



LOCKING THE CASTER

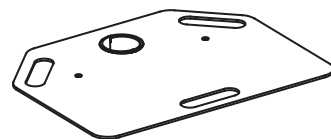


### IN THE BOX

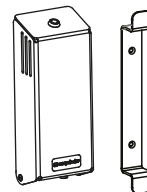


Hardware Kit

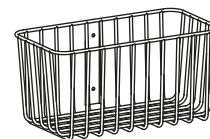
### ACCESSORIES



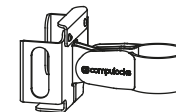
Keyboard / Writing Shelf Kit



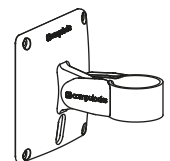
Power Module Kit



Accessory Basket Kit

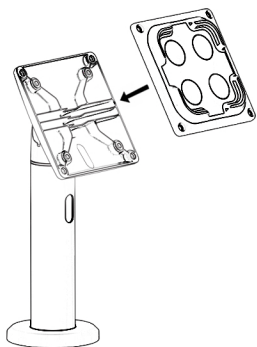


JBL GO 2 Speaker Bracket

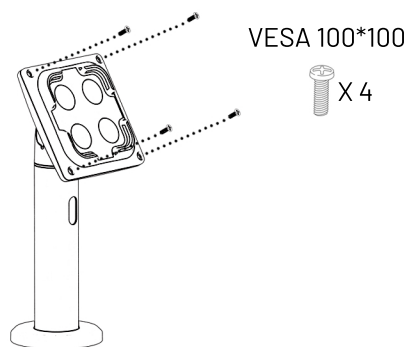


Single Add On Bracket Kit

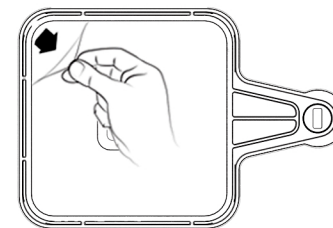
1



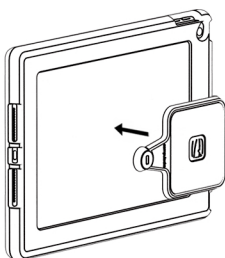
2



3



4



CLEAN MOUNTING AREA  
WITH ALCOHOL WIPES PROVIDED

5

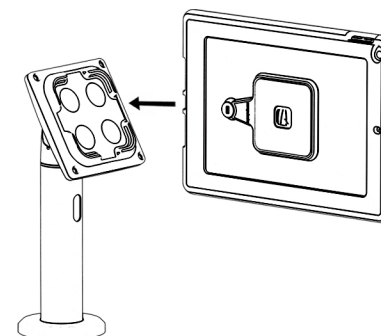


PRESS DOWN

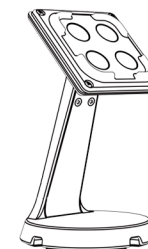
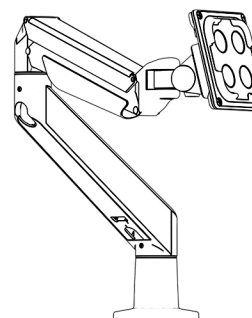
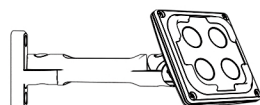
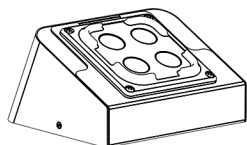


ACHIEVES FULL STRENGTH  
AFTER 24 HOURS

6



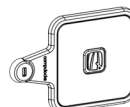
FITS VESA 100\*100 MOUNT STANDS



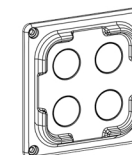
IN THE BOX



Alcohol Wipes



Tablet Bracket



Stand Bracket