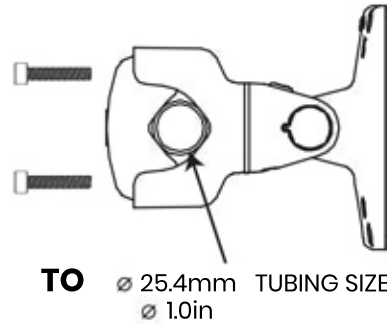
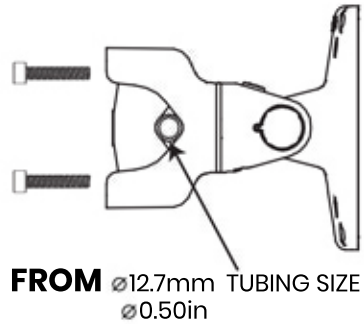


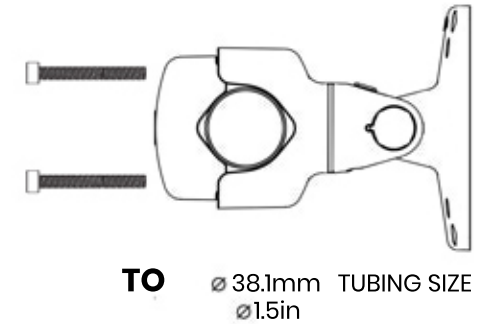
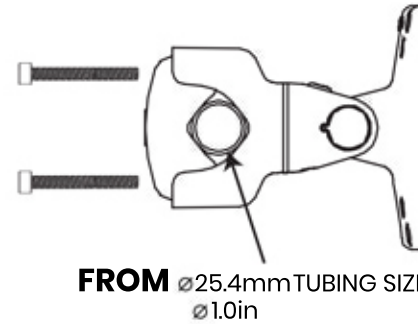
1 MEASURE SIZE OF MOUNTING TUBE TO DETERMINE CLAMP SCREW LENGTH

USE M6 x 30mm CLAMP SCREW
IN HARDWARE KIT

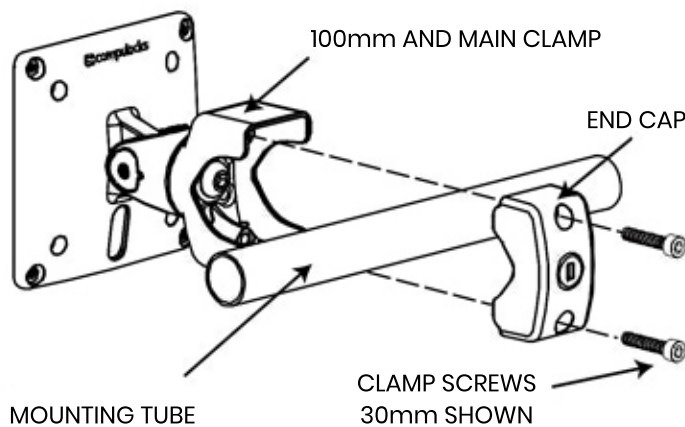


OR

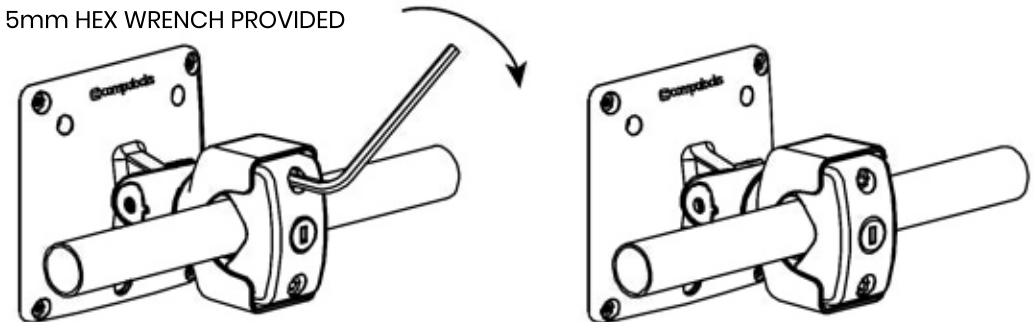
USE M6 x 50mm CLAMP SCREW
IN HARDWARE KIT



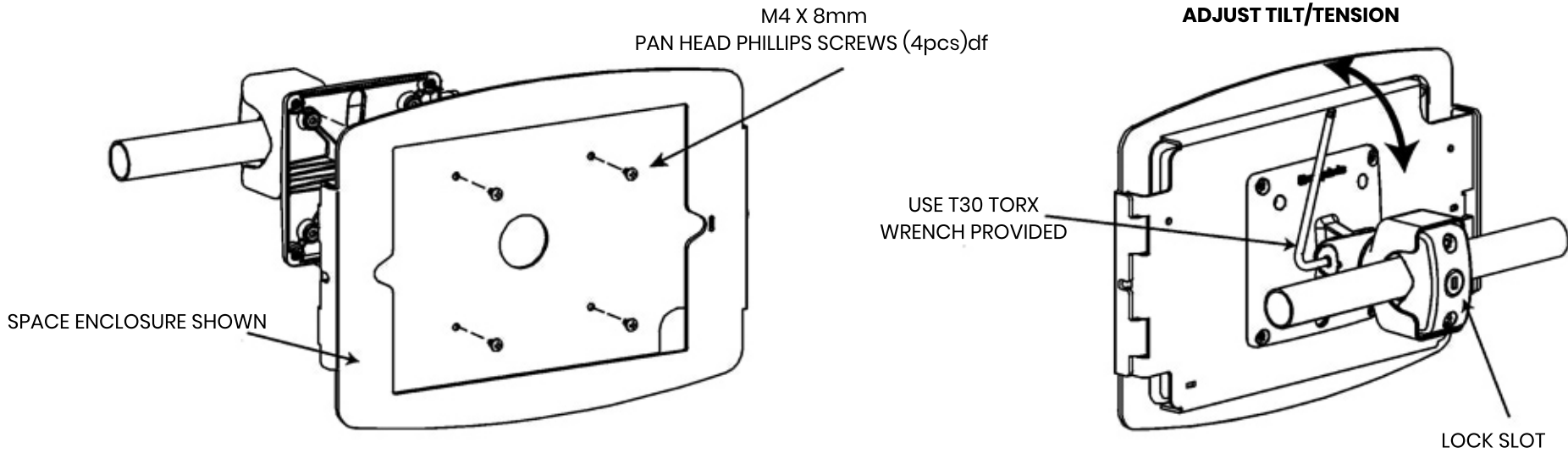
2 INSTALLATION ON MOUNTING TUBE



TIGHTEN CLAMP SCREWS EVENLY
USING 5mm HEX WRENCH PROVIDED



3 INSTALL TABLET ENCLOSURE (not included)



IN THE BOX



Pole Clamp Base



T30 L-wrench



5mm Hex Wrench



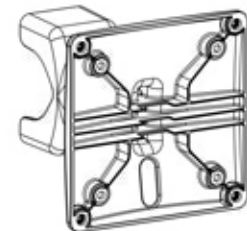
M6 X 50mm



M6 X 30mm

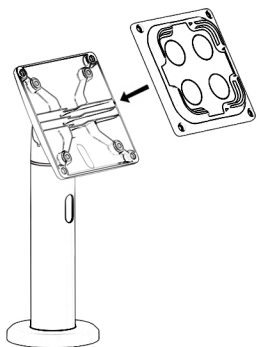


M4 X 8mm

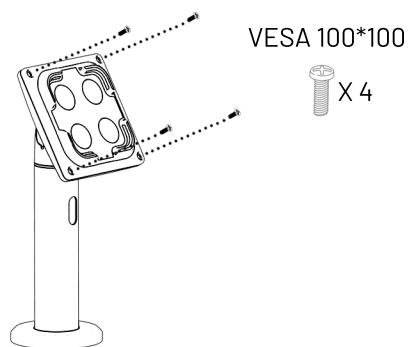


Pole Clamp
With 100mm Plate

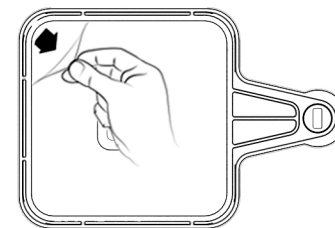
1



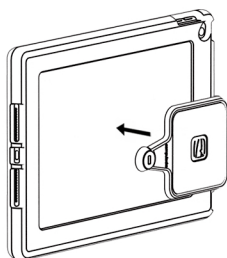
2



3



4



CLEAN MOUNTING AREA
WITH ALCOHOL WIPES PROVIDED

5

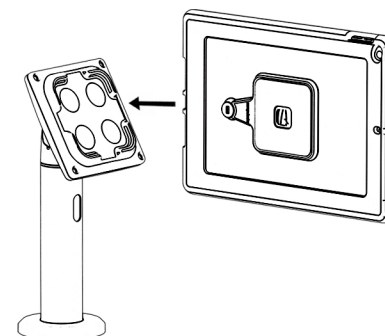


PRESS DOWN

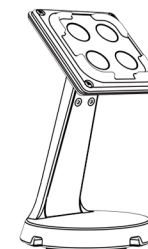
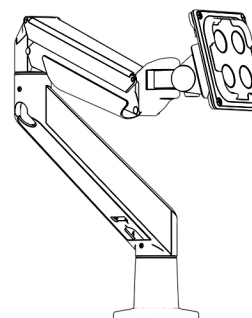
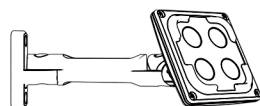
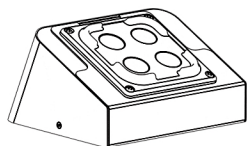


ACHIEVES FULL STRENGTH
AFTER 24 HOURS

6



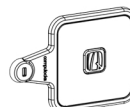
FITS VESA 100*100 MOUNT STANDS



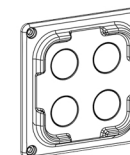
IN THE BOX



Alcohol Wipes



Tablet Bracket



Stand Bracket