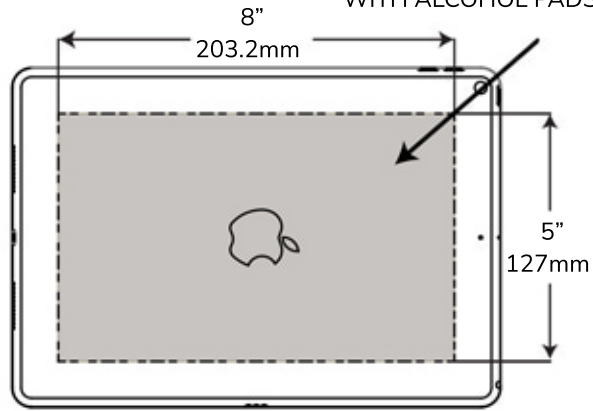


## Assembly Instructions

1 IDENTIFY THE FIXING AREA,  
AND CLEAN  
WITH ALCOHOL PADS PROVIDED



2 PEEL COVER  
TO EXPOSE  
ADHESIVE PAD

3 INSTALL MOUNT,  
CENTERED  
ON THE CLEANED AREA

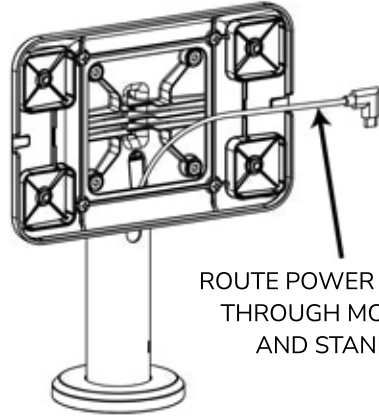
ACHIEVES FULL STRENGTH  
AFTER 12 HOURS

4 REMOVE MOUNT FROM DEVICE  
BY REMOVING M4 PIN TORX SCREWS  
USING PROVIDED T-15 SCREWDRIVER

5 INSTALL MOUNT ON  
ANY 100mm VESA COMPATIBLE STAND OR ARM  
USING PROVIDED M4x10mm PHILLIPS PAN HEAD SCREWS

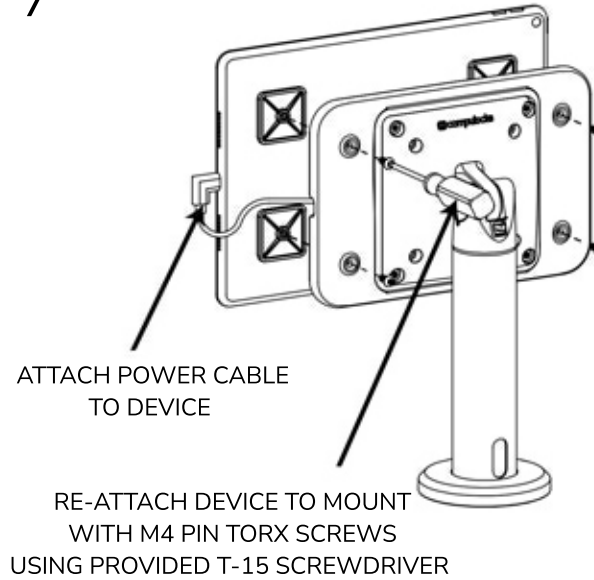
## Assembly Instructions

6



ROUTE POWER CABLE THROUGH MOUNT AND STAND

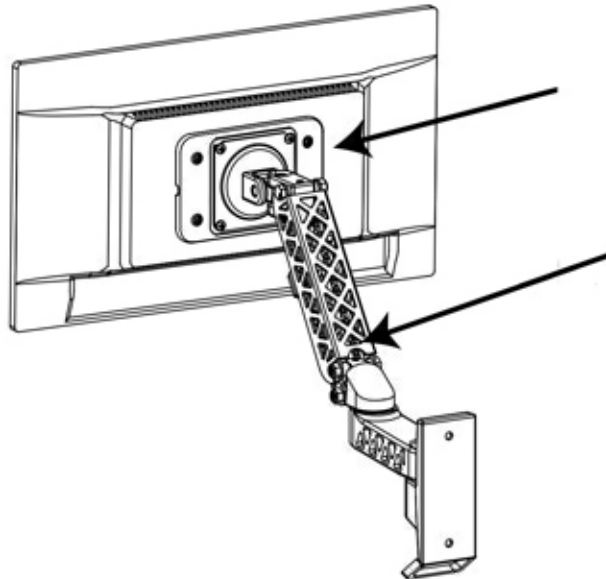
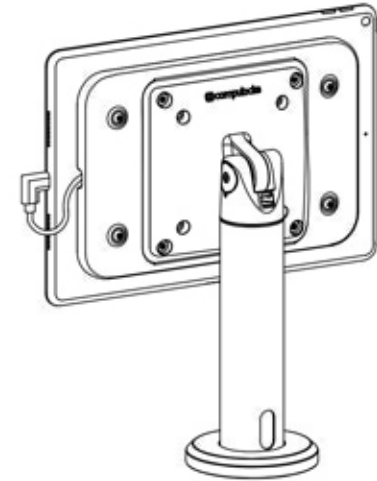
7



ATTACH POWER CABLE TO DEVICE

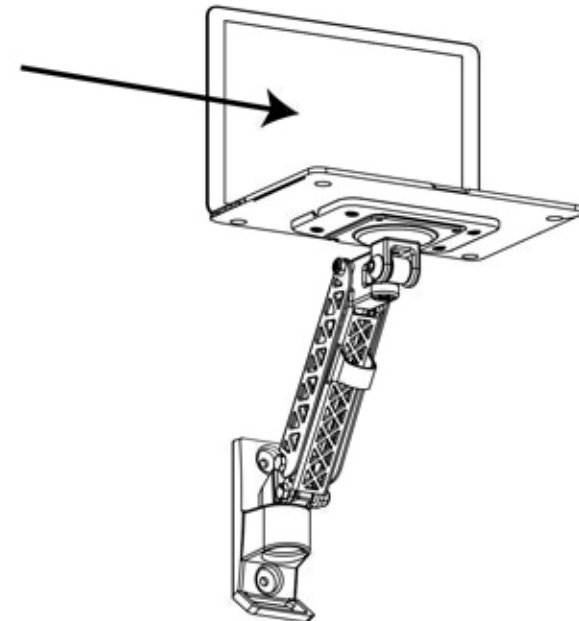
RE-ATTACH DEVICE TO MOUNT WITH M4 PIN TORX SCREWS USING PROVIDED T-15 SCREWDRIVER

8

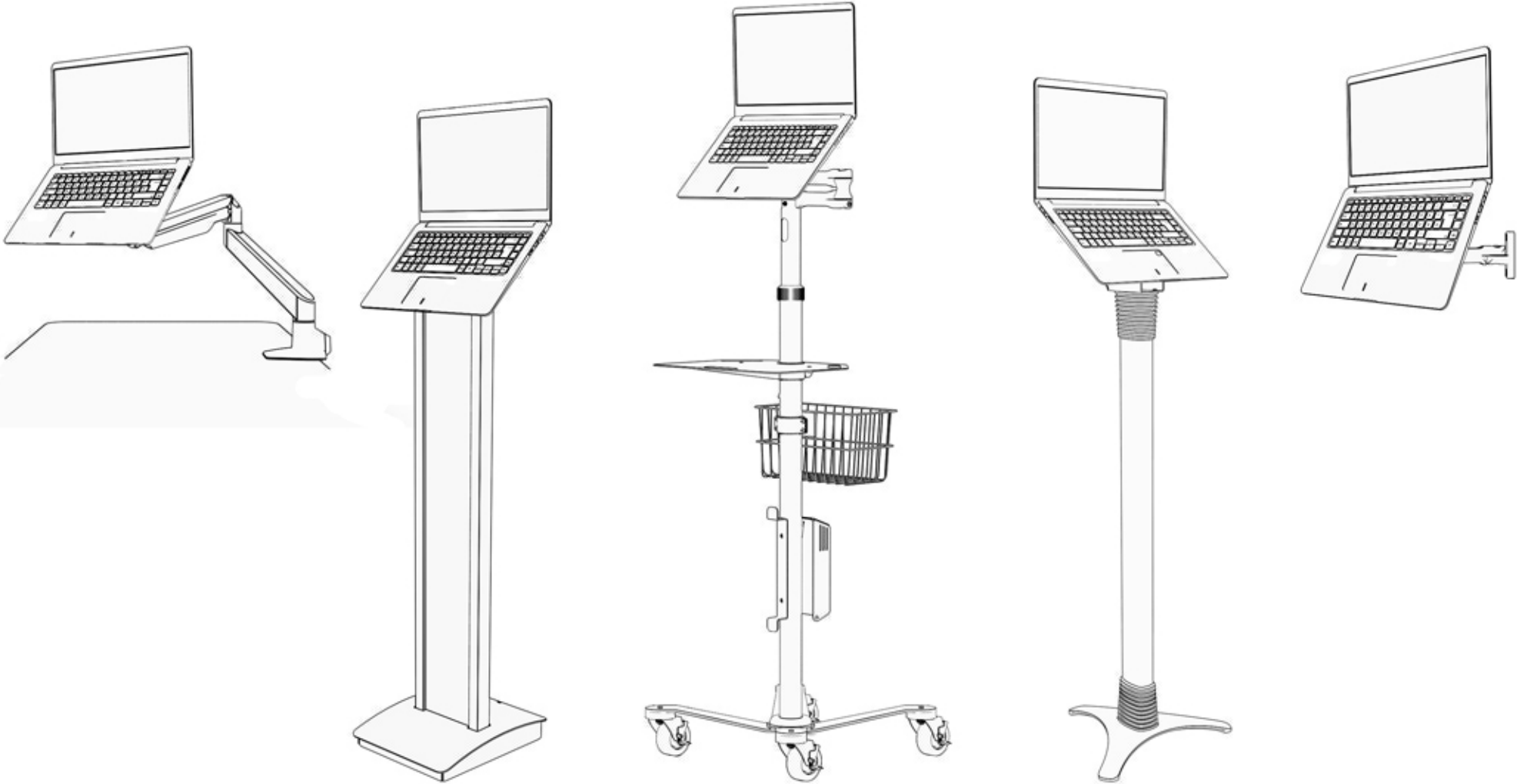


IT MOUNT CAN FIX TO ANY LAPTOP OR TABLET

IT MOUNT IS COMPATIBLE WITH ANY 100mm VESA STAND, ARM OR MOUNT

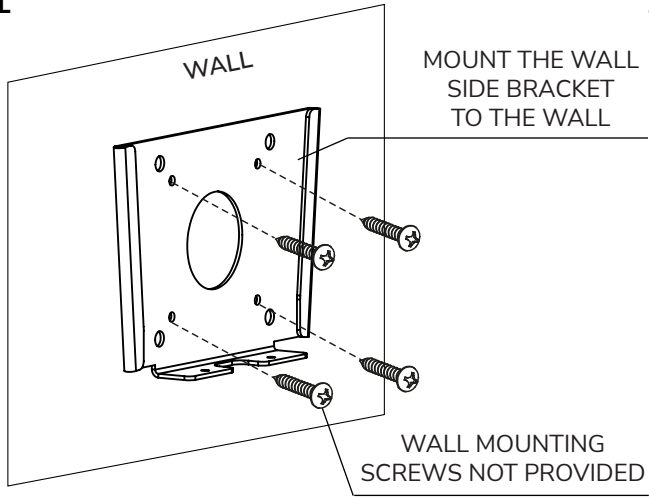


# Compatible With All Compulocks' Stands

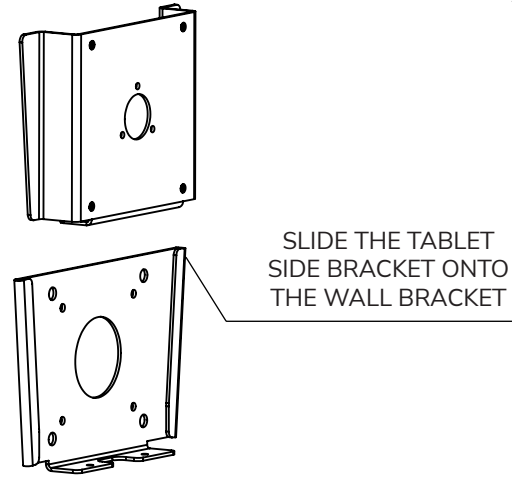


## Assembly Instructions

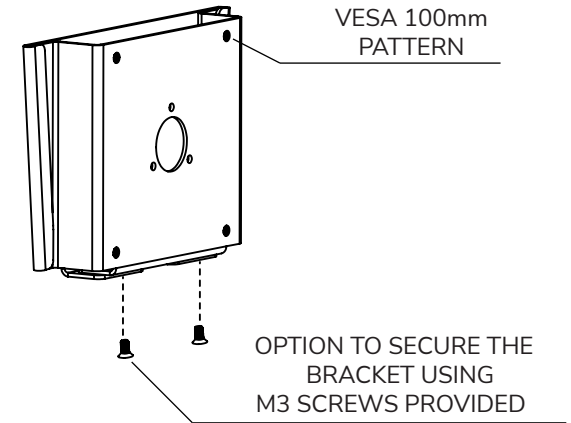
1



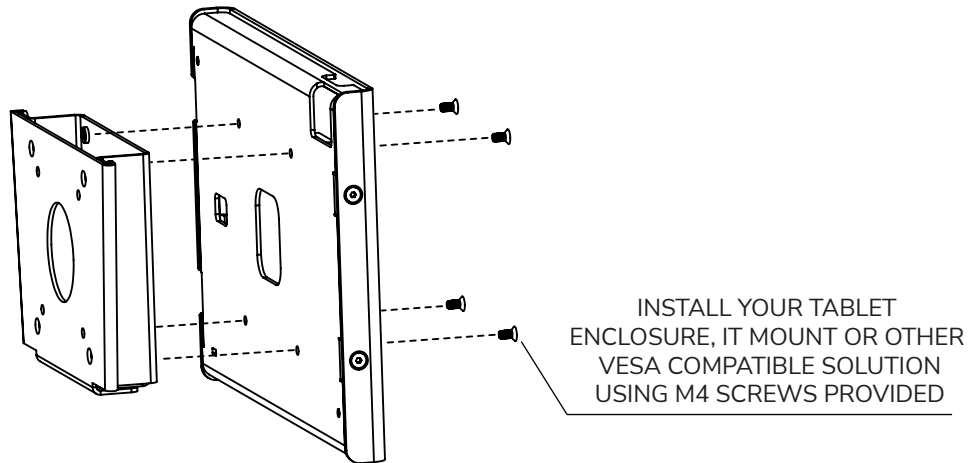
2



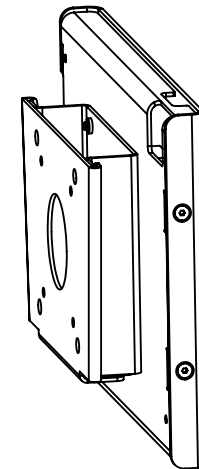
3



4



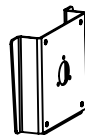
5



### IN THE BOX



Wall Side Bracket



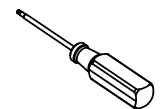
Tablet Side Bracket



M4x8MM Phillips Screws



M3x10MM Flat Head Screws



T10 Torx Screwdriver